



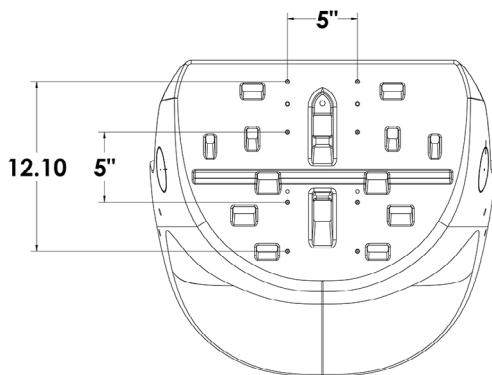
CALADESI BUCKET SEAT



Introducing the Caladesi Bucket Seat - the perfect combination of comfort, durability, functionality, and style. Longer boat rides in the Caladesi Bucket Seat are instantly more enjoyable because of its state-of-the-art design with an integrated seat suspension - a corrosion-proof, stainless-steel, coil-spring suspension grid system integrated into the injection-molding seat bottom. The Caladesi Bucket Seat also features plush cushioning, a wrap-around body style accented with a smooth fabric finish, and a sporty back cutout that allows for breathability and flair. This bucket seat also features an adjustable bolster - allowing for boaters to stand and steer when at the helm.

FEATURES & BENEFITS

- Ideal for pilot house boats, pontoons and dual consoles
- Features integrated seat suspension for enhanced comfort
- Rotomolded seat shell construction with a reinforced seat bottom
- Adjustable bolster
- Premium quality, marine-grade vinyl fabric treated with anti-microbial and UV stabilizers
- Plush, anti-bacterial foam padding, which provides durable support and protection from mold and mildew
- Form-fitting sides keep you comfortable
- Flexible, contemporary design
- Meets ABYC H-31 impact test
- Available in four different color combinations
- Mounts to any standard pedestal with a 5.25" 4-hole pattern



PART NUMBER	DESCRIPTION	WIDTH	DEPTH	HEIGHT	COLOR	UNIT	CoO	STD. PK.	UPC
BA2-25WHT	Caladesi Smooth Bucket Seat	23"	26"	22"	White	Each	USA	1	631199091953
BA2-25WHT-BLK	Caladesi Smooth Bucket Seat	23"	26"	22"	Black & White	Each	USA	1	631200091965
BA2-25WHT-GRY	Caladesi Smooth Bucket Seat	23"	26"	22"	Light Gray & White	Each	USA	1	631201091971
BA2-25GRY-BLK	Caladesi Smooth Bucket Seat	23"	26"	22"	Black & Light Gray	Each	USA	1	631202091987